

Low Pressure Diaphragm



200 SERIES

- Designed for extremely low pressure and vacuum measurement
- Ultra sensitive copper alloy diaphragm capsules are rated for pressure (or vacuum) as low as 0-10 inches of water and as high as 0-10 psi
- 2-1/2 and 4 inch sizes – bottom and back connections
- Molded Plexiglass™ lenses on 2-1/2 inch size and instrument glass on 4 inch size for strength and clarity
- Standard case on 2-1/2 inch size is black painted steel (optional stainless steel), and stainless steel on 4 inch case
- Phosphor bronze diaphragm capsules are coupled with precision all-brass movements to provide extremely accurate indication
- 25-206 & 25-216 are low pressure diaphragm OEM-Type gauges; they feature a black ABS case and a Copper Beryllium Alloy (CuBe) diaphragm capsule coupled with Cu-Alloy movement for extremely low pressure applications
- 25-200, 25-210 and 40-200 come standard with zero point adjustment
- Available options include overpressure protection of up to 200% of the dial range
- Stock availability

OPERATING SPECIFICATIONS

1. Working Pressure Limitations

- Dynamic Pressure**
The working pressure should be limited to 90% of the dial range.
- Static Pressure**
The working pressure, where no sharp fluctuations occur, should be limited to 100% of the dial range

2. Ambient Temperature

-4°F to 140°F (-20°C to 60°C)

3. Media Temperature

-4°F to 176°F (-20°C to 80°C)

APPLICATIONS

- Medical
- Biomedical
- HVAC
- Gas distribution
- Filtration
- Burner and gas combustion service
- Waste water treatment
- Level indication and filter monitoring
- Everywhere low pressure and vacuum measurement is required

ACCURACY

- 2-1/2 Inch 200 Series Gauges: ±1.5%
- 4 Inch 200 Series Gauges: ±1.0%

	MODELS	SPECIFICATIONS
Case	25-200, 25-210	Black painted steel
	25-206, 25-216, 25-224 zinc plated steel panel mount clamp	Black ABS (Acryl Nitril Butadien Styrol) with 25-224 includes
	40-200	304 Stainless steel
Bezel	40-200	304 Stainless steel
Lens	25-200, 25-206, 25-210, 25-216, 25-224	Clear front Plexiglass™
	40-200	Instrument glass
Diaphragm Capsule	25-200, 25-210, 25-224, 40-200	Phosphor bronze
Connection	25-200, 25-206, 25-210, 25-216, 25-224, 40-200	1/4" NPT brass
Movement	25-200, 25-210, 25-224, 40-200	Brass and Nickel-Silver with highly polished bearing surfaces
	25-206, 25-216	Cu-Alloy
Accuracy	25-200, 25-210, 25-224	± 1.5% Full Scale ASME grade A
	25-206, 25-216	± 2.5% Full Scale ASME grade B
	40-200	± 1% Full Scale ASME grade 1A
Pointer	25-200, 25-206, 25-210, 25-216, 25-224, 40-200	Black finished aluminum
Dial	25-200, 25-206, 25-210, 25-216, 25-224, 40-200	Aluminum, white background with black markings. Single scale except as noted in the dial configuration chart. UV resistant

For details on accuracy/standard dial configuration and dial layouts, see pages 74-78

ORDERING INFORMATION								
SERIES	200							
SIZE	25	2-1/2 Inch		40	4 Inch			
CASE TYPE	200	Steel, Bottom Connection (304SS for 4")			216	ABS, Back Connection		
	206	ABS, Bottom Connection			224	ABS, Panel Mount		
	210	Steel, Back Connection			234	Gas Pressure Test Kit**		
PRESSURE RANGES	15 inH ₂ O Vac	-15 inH ₂ O to 0 inH ₂ O	30 inH ₂ O	0 inH ₂ O to 30 inH ₂ O	15 oz/in ²	0 oz/in ² to 15 oz/in ²	20 oz/35 inH ₂ O	0 oz/in ² /inH ₂ O to 20 oz/in ² /inH ₂ O
	30 inH ₂ O Vac	-30 inH ₂ O to 0 inH ₂ O	60 inH ₂ O	0 inH ₂ O to 60 inH ₂ O	30 oz/in ²	0 oz/in ² to 30 oz/in ²	32 oz/55 inH ₂ O	0 oz/in ² /inH ₂ O to 32 oz/in ² /inH ₂ O
	60 inH ₂ O Vac	-60 inH ₂ O to 0 inH ₂ O	100 inH ₂ O	0 inH ₂ O to 100 inH ₂ O	35 oz/in ²	0 oz/in ² to 35 oz/in ²	3 psi	0 psi to 3 psi
	100 inH ₂ O Vac	-100 inH ₂ O to 0 inH ₂ O	160 inH ₂ O	0 inH ₂ O to 160 inH ₂ O	60 oz/in ²	0 oz/in ² to 60 oz/in ²	5 psi	0 psi to 5 psi
	10 inH ₂ O	0 inH ₂ O to 10 inH ₂ O	200 inH ₂ O	0 inH ₂ O to 200 inH ₂ O	100 oz/in ²	0 oz/in ² to 100 oz/in ²	10 psi	0 psi to 10 psi
	15 inH ₂ O	0 inH ₂ O to 15 inH ₂ O	10 oz/in ²	0 oz/in ² to 10 oz/in ²	160 oz/in ²	0 oz/in ² to 160 oz/in ²		
CONNECTION SIZE	1/4	1/4" NPT						
OPTIONS	BLRF	Black rear flange	GL	Glass lens*	OP	Over pressure protection	CCR	Chrome cover ring
	SSRF	304SS rear flange	SGL	Safety glass lens*	SSB-U	Stainless steel bezel & U-clamp	LM	Laser marking
	BLFF	Black front flange	PL	Plexiglass™ lens	BB-U	Black bezel & U-clamp	ST	Stainless steel tagging
	SSFF	304SS front flange	RL	Recalibrator lens	BCR	Black cover ring	BP3	Brass press fit orifice 0.3 mm
	CFF	Chrome front flange	SP	Red set pointer	SSCR	Stainless steel cover ring	BT3	Brass threaded orifice 0.3 mm
	SSC	Stainless steel case	MIP	Maximum indicating pointer				

Please consult your local NOSHOK Distributor or NOSHOK, Inc. for availability and delivery information.

NOTE: Refer to 200 Series Options & Accessories chart on page 65 for availability by model number.

* A steel, stainless or chrome cover ring must be additionally ordered when lenses other than Plexiglass™ are utilized on all 200 Series models

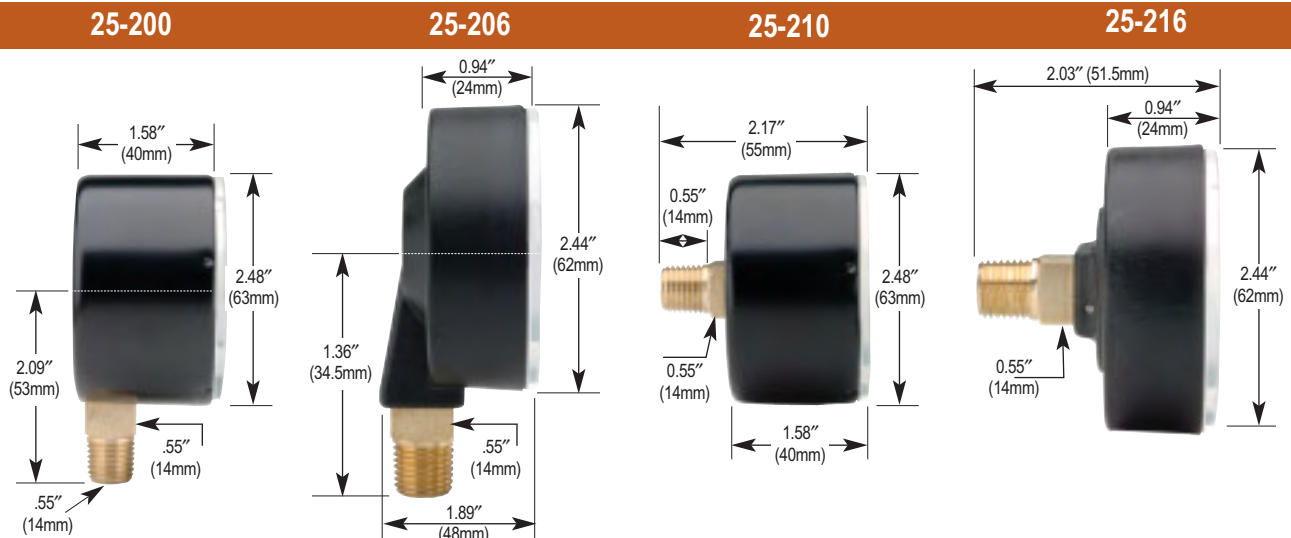
** Only available in 2-1/2 inch size, 20 oz/35 inH₂O

EXAMPLE

25-200 - 30 inH₂O - 1/4" - BP3

1. Select model number (size & case type)
2. Select pressure range
3. Connection size
4. Select any required accessory or option

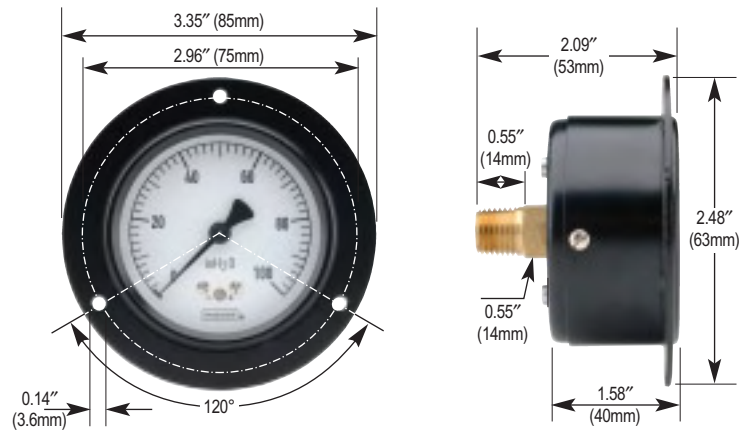
OUTLINE DIMENSIONS



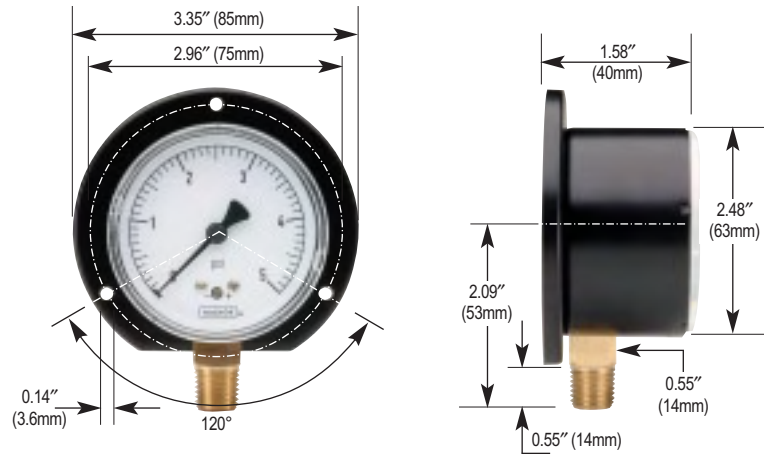
Dial Indicating Pressure Gauges

Dimensions

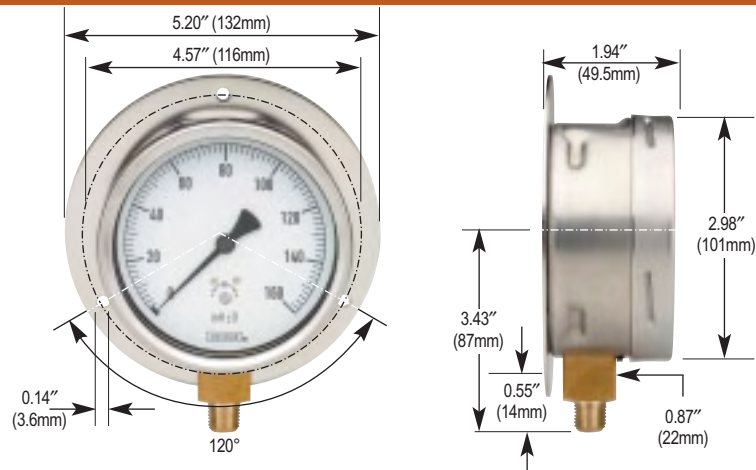
25-210 Front Flange



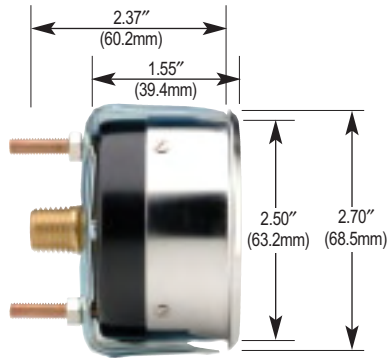
25-200 Rear Flange



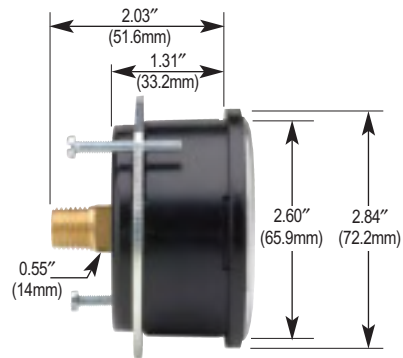
40-200 Rear Flange



25-210 Triangular Bezel with U-Clamp



25-224 With Panel Mount Clamp



25-234

